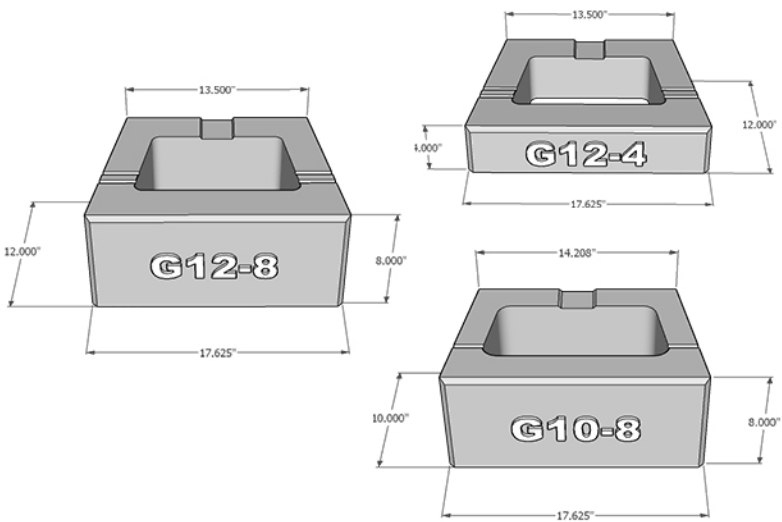


# EARTH BLEND



# OCHRE



# PEWTER



**GEOSTONE**<sup>®</sup>  
RETAINING WALL SYSTEMS  
WWW.GEOSTONE.COM

11321 HWY 280 / P.O. BOX 325  
WESTOVER, AL 35185  
205-678-9969