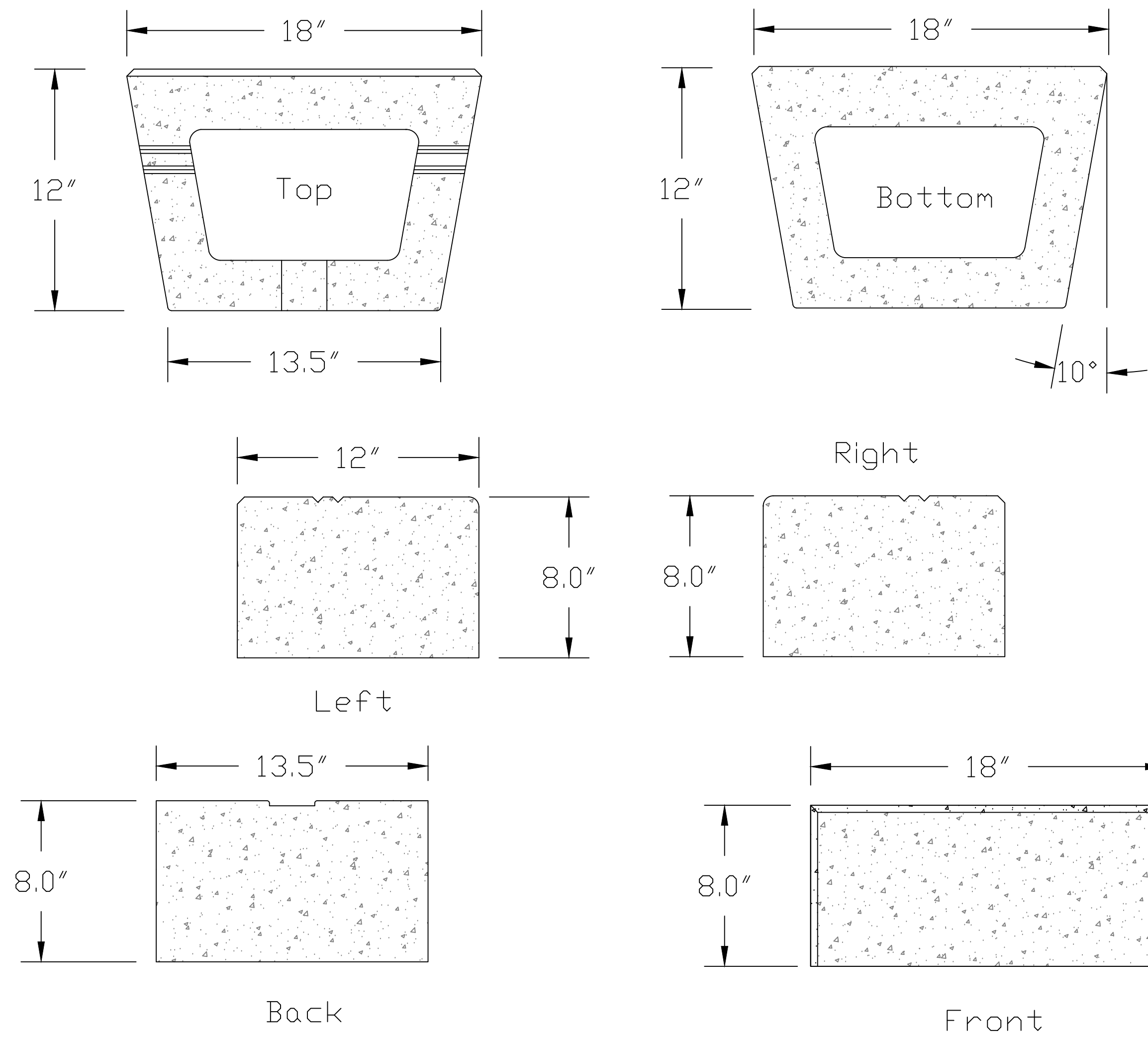


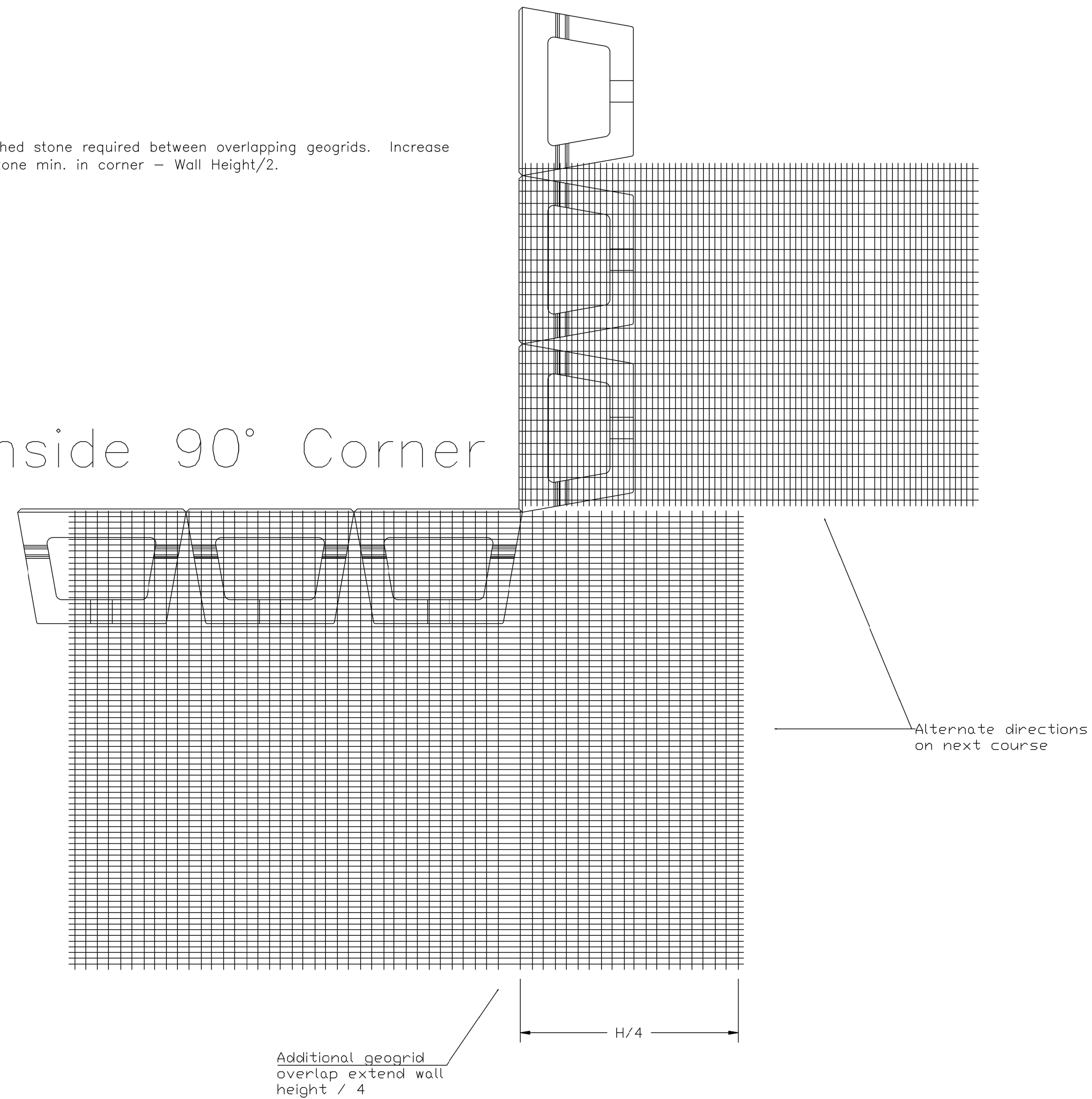
GEOSTONE STANDARD BLOCK



75 LBS

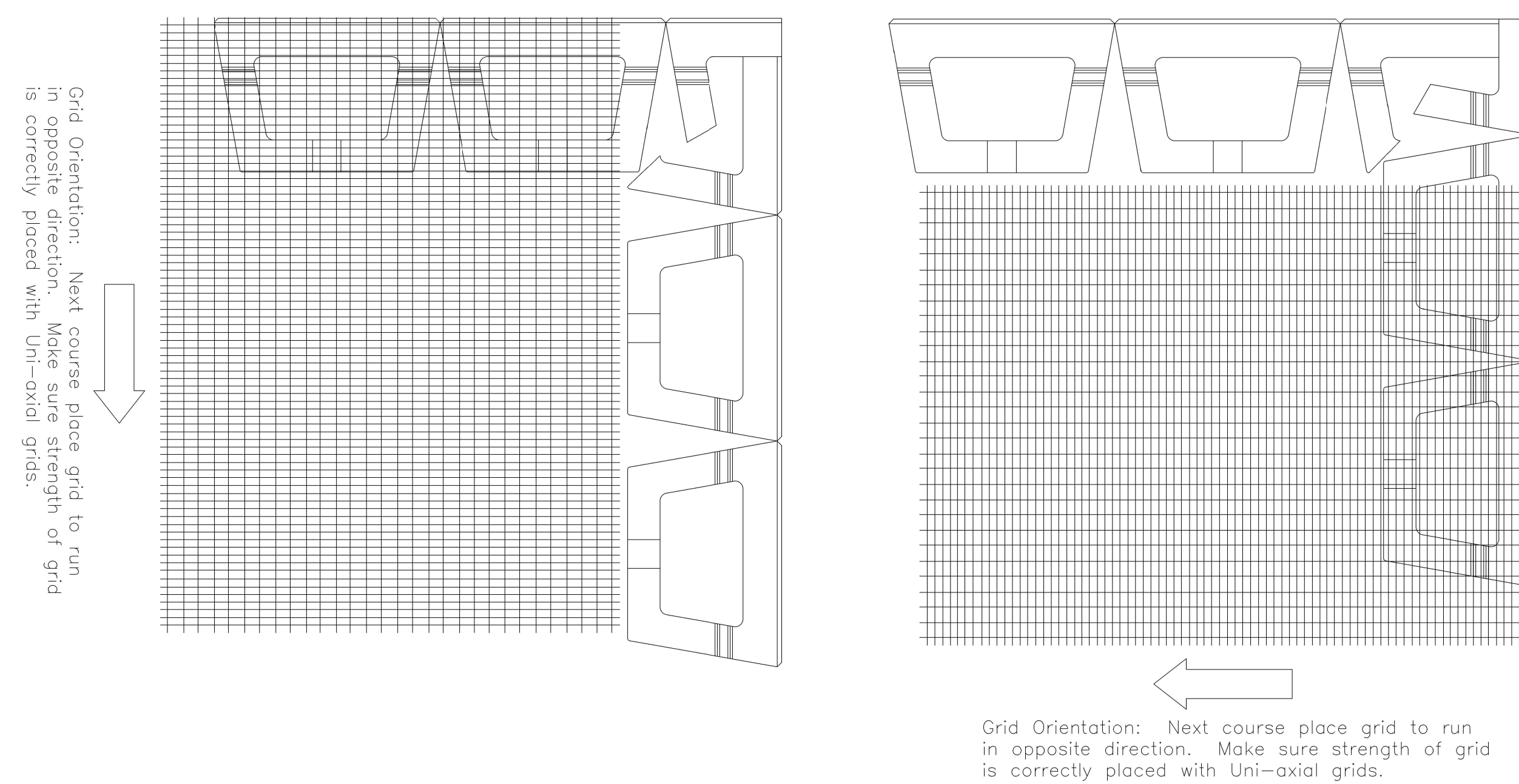
Min. 3" of crushed stone required between overlapping geogrids. Increase drainage rock zone min. in corner - Wall Height/2.

Inside 90° Corner



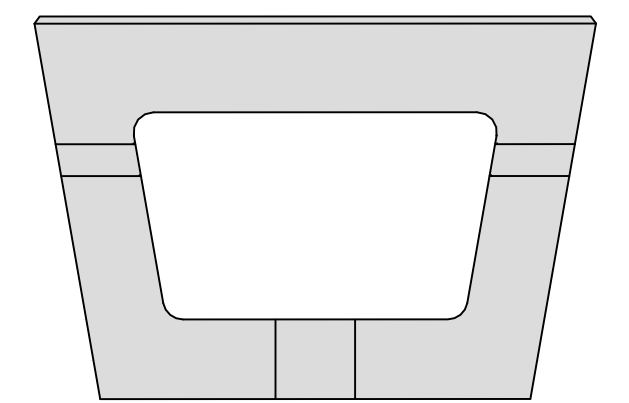
Outside 90° Corner

Course 1 Course 2



General Notes

GEOSTONE RETAINING WALLS ARE MADE TO ADJUST FOR DIFFERENT HEIGHTS AND SITUATIONS. REINFORCEMENT IS SOMETIMES REQUIRED. PLEASE REFER TO www.geostone.com FOR GENERAL REINFORCING PROCEDURES AND GUIDELINES. ALSO PLEASE NOTE THAT A LOT OF MUNICIPALITIES WILL REQUIRE THAT RETAINING WALLS OVER 4 FEET IN HEIGHT BE DESIGNED AND STAMPED BY A PROFESSIONAL ENGINEER. PLEASE CHECK WITH YOUR LOCAL MUNICIPALITY PRIOR TO ANY CONSTRUCTION.



No.	Revision/Issue	Date

Firm Name and Address

Project Name and Address

Value
Value
Value
Value

Project

Value

Date
6/18/2016

Scale
As Noted

Sheet

00